

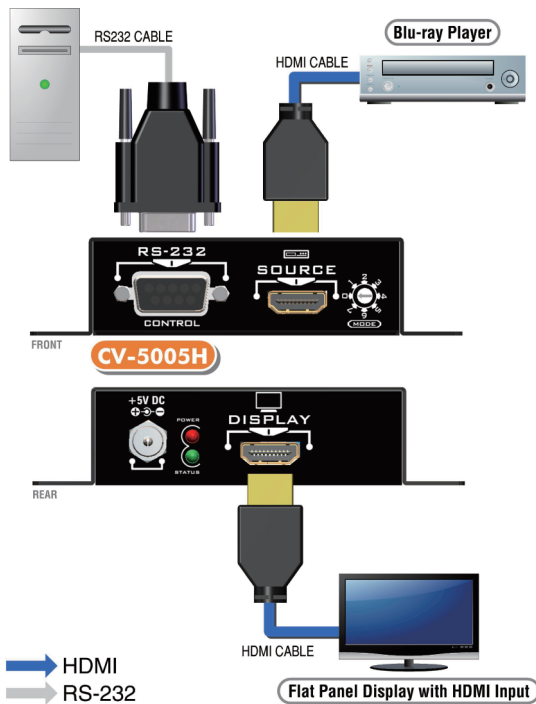
CV-5005H

HDMI EDID Reader/Writer/Re-timer

G

CONVERTER

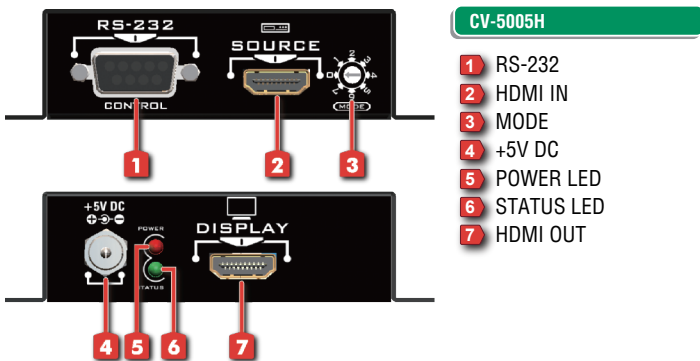
CV-5005H



SPECIFICATIONS

Model Name	CV-5005H	
Technical		
DVI compliance	DVI 1.0 / HDMI Deep Color & 3D	
HDCP compliance	Yes	
Video bandwidth	Single-link 225MHz [6.75Gbps]	
Video support	Up to WUXGA [1920x1200@60Hz] & UXGA [1600x1200@60Hz]	
Input	1x HDMI 1x RS-232	
Output	1x HDMI	
HDMI connector	Type A [19-pin female]	
RS-232 connector	DE-9 [9-pin D-sub female]	
Flash EEPROM	256 byte [non-volatile]	
Mechanical		
Housing	Metal enclosure	
Dimensions [L x W x H]	Model	91 x 79 x 21mm [3.6" x 3.1" x 0.8"]
	Package	40 x 200 x 75mm [5.5" x 7.9" x 3"]
	Carton	420 x 400 x 300mm [1'5" x 1'4" x 11.8"]
Weight	Model	240g[8.5 oz]
	Package	500g[1.1 lbs]
Fixedness	Wall-mounting case with screws	
Power supply	5V 2A DC	
Power consumption	4 Watt [max]	
Operation temperature	0-40°C [32-104°F]	
Storage temperature	-20-60°C [-4-140°F]	
Relative humidity	20-90% RH [no condensation]	

INDICATION



CV-5005H

- 1 RS-232
- 2 HDMI IN
- 3 MODE
- 4 +5V DC
- 5 POWER LED
- 6 STATUS LED
- 7 HDMI OUT

PACKAGE CONTENTS

- ▣ 1x CV-5005H
- ▣ 1x 5V power supply unit
- ▣ 1x Installation software CD
- ▣ 1x User Manual

FEATURES

- ▣ Able to prevent PC from deactivating inactive HDMI/DVI ports
- ▣ HDCP 1.1 compliant
- ▣ Support HDMI Deep Color & 3D / DVI 1.1 compliant
- ▣ Able to read and store the EDID of displays (monitors or projectors)
- ▣ Able to overwrite the EDID into the EDID Reader/Writer/Re-timer or the HDMI displays
- ▣ Built-in default EDID
- ▣ Able to maintain HDMI/DVI video resolution
- ▣ Re-synthesizes input HDMI stream and maintains or improves signal integrity